

4

3

2

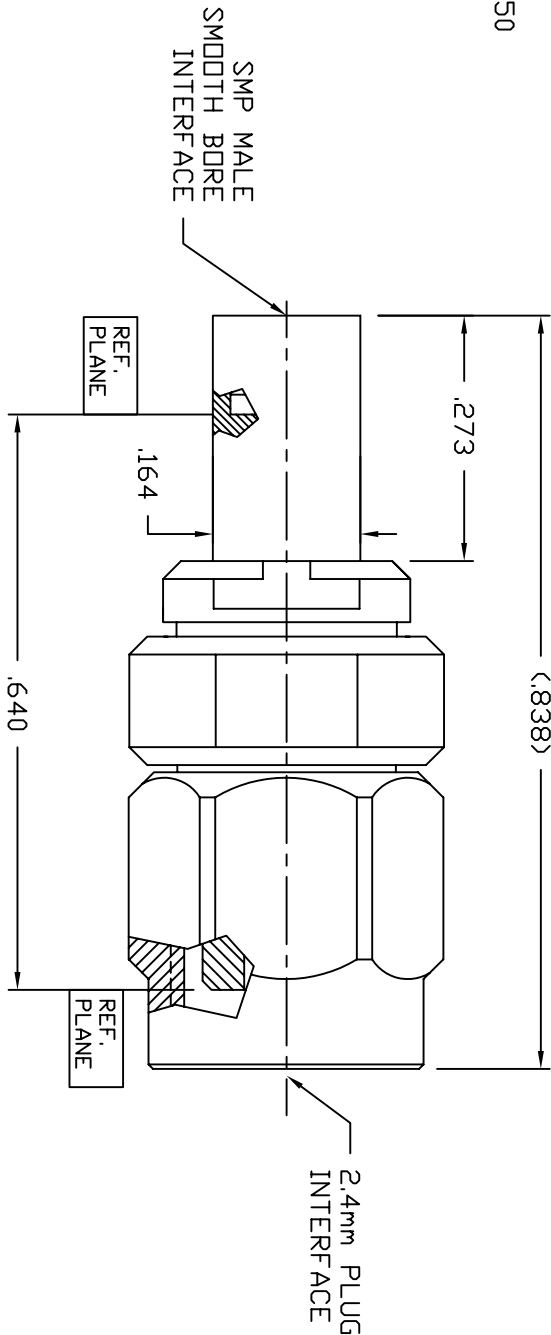
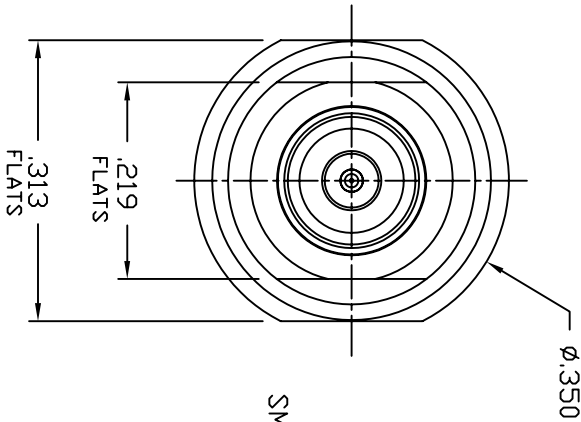
REV. NO. 01-MD1-FPSS-SS-001

ADAPTER P/N

MD1-FPSS-SS-001

REVISIONS			
REV. NO.	DATE	DESCRIPTION	RELEASED
A		INITIAL RELEASE	

COMPONENT	MATERIAL	FINISH
CONTACT	BeCu PER ASTM B 196 AND/DR ASTM B 197 AND UNS #C17300 DR UNS #C172000	GOLD PLATE PER ASTM B 488, TYPE 1, GRADE C, .000050 TO .000100 THICK OVER NICKEL PER AMS QQ-N-290 DR AMS 2404 .000050 TO .000150 THICK.
INSULATOR(S)	PTFE(TEFLON) PER ASTM D 1710 AND ASTM D 1457	N/A
HOUSINGS, SHIMS, COUPLING NUT, AND STUBS	CRS. 303 PER ASTM A-484 AND ASTM A-582 DR ASTM A-555 DR ASTM A-581.	PASSIVATE PER AMS QQ-P-35.
SHROUD	CRS. 303 PER ASTM A-484 AND ASTM A-582 DR ASTM A-555 DR ASTM A-581.	GOLD PLATE PER ASTM B 488, TYPE 1, GRADE C, .000050 TO .000100 THICK OVER NICKEL PER AMS QQ-N-290 DR AMS 2404 .000050 TO .000150 THICK.



SMP MALE SMOOTH BORE INTERFACE

2.4mm PLUG INTERFACE

- NOTES:
- OPERATING FREQUENCY: DC-40 GHZ.
 - VSWR: 1.10:1 MAX.

UNLESS OTHERWISE SPECIFIED, DIMENSIONS ARE IN INCHES		PRODUCT CODE N/A	
DECIMALS	ANGULAR	DRAWN	DATE
.X ±.1	± 5'	DNE	10/10/03
.XX ±.01	FRACTIONS	CHECK	10/10/03
.XXX ±.005	± 1/32	DATE	10/10/03
DO NOT SCALE DRAWING		APPROVED	
THIS DRAWING AND THE DATA DESCRIBED THEREIN ARE THE PROPERTY OF CRISTEK, INC. AND IS NOT TO BE REPRODUCED, COPIED, OR DISCLOSED IN WHOLE OR IN PART WITHOUT THE WRITTEN PERMISSION OF CRISTEK, INC.		CAD FILENAME	NONE
		THIRD ANGLE PROJECTION	
		SCALE	NONE
CRISTEK 1391 S. LEVIS STREET ANAHEIM, CA 92805 (714) 618-2000		TITLE	SMP(M) SMOOTH BORE TO 2.4mm PLUG PRECISION ADAPTER
SIZE	CASE NO.	PRNO. NO.	
C 67720	01-MD1-FPSS-SS-001		
SHEET 1 OF 1			